

4

3

2

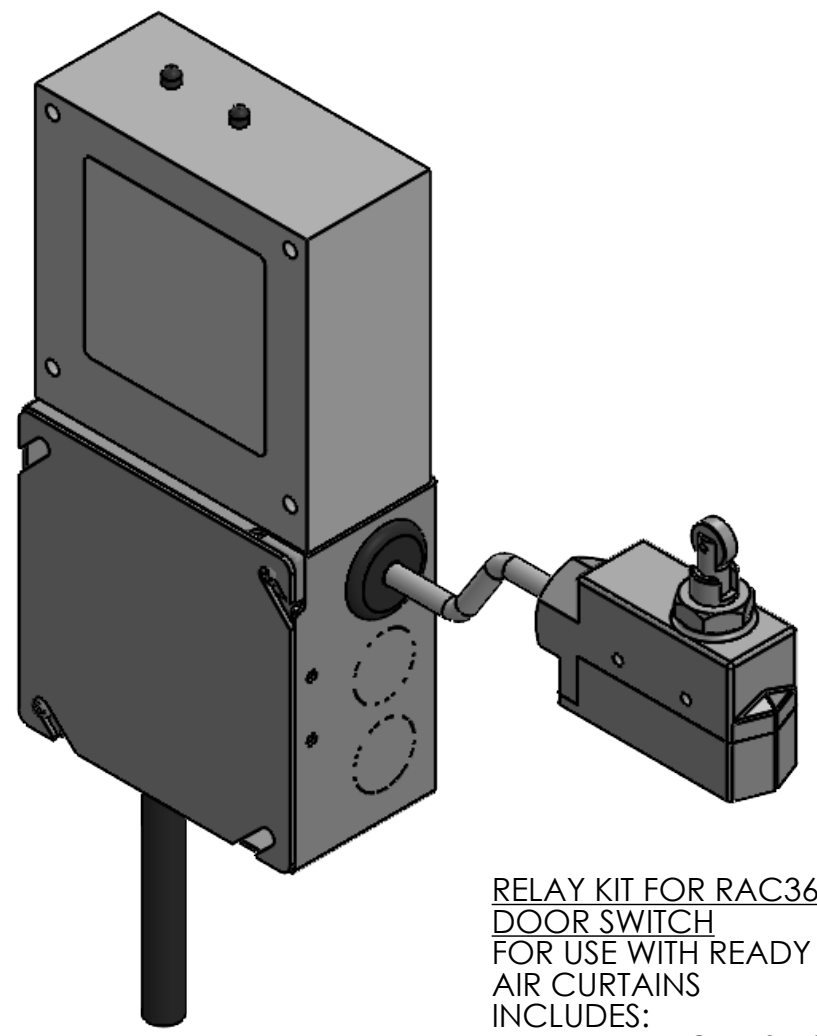
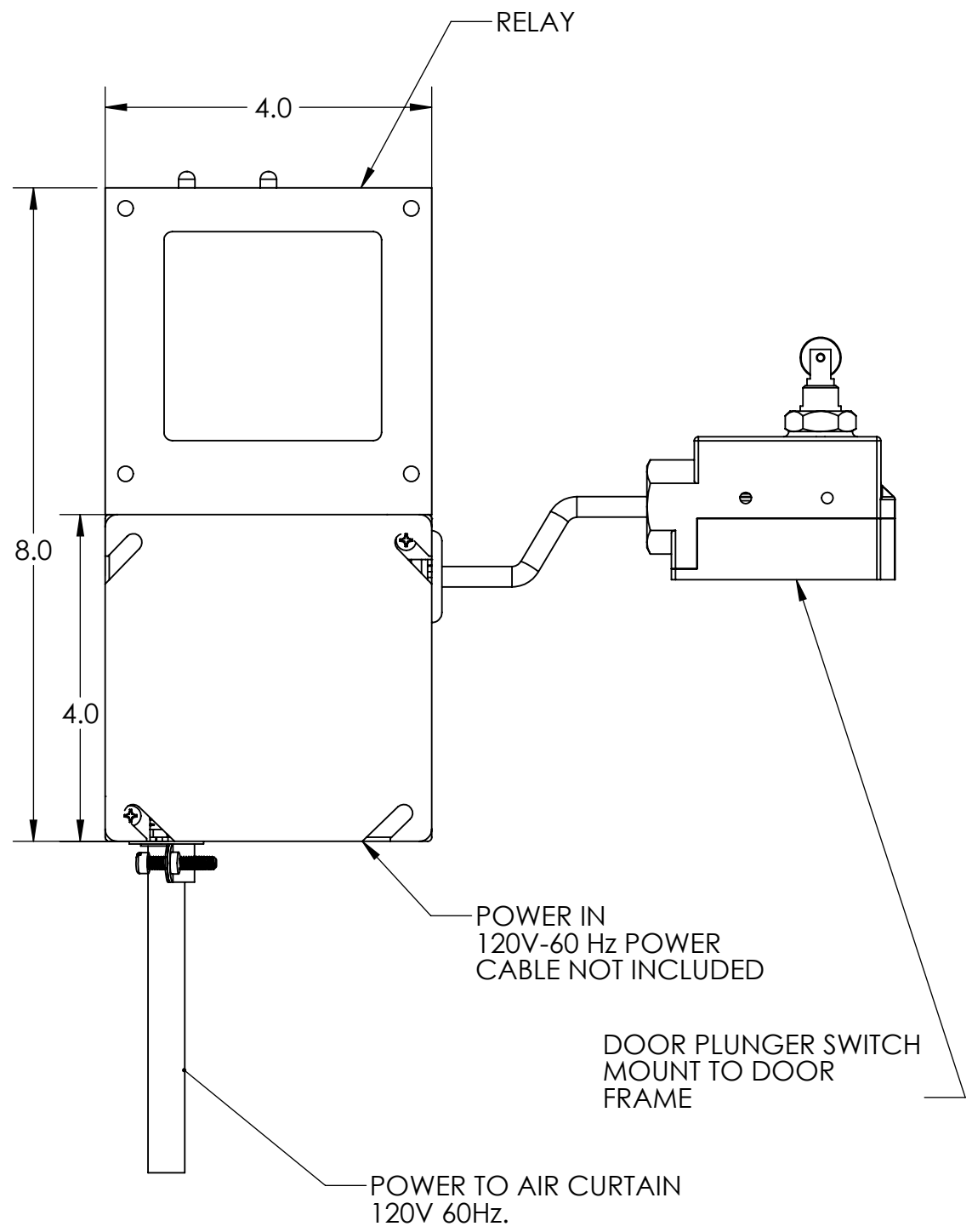
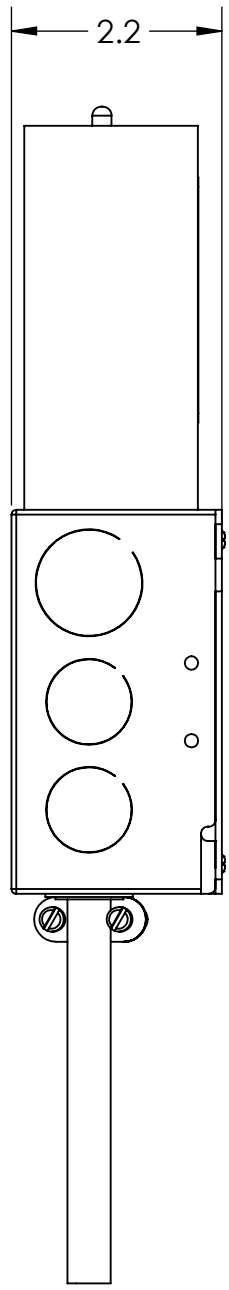
1

B

B

A

A



**RELAY KIT FOR RAC36/RAC48 AIR CURTAIN PLUNGER DOOR SWITCH**  
 FOR USE WITH READY ACCESS RAC-36 AND RAC-48 AIR CURTAINS  
 INCLUDES:

1. RELAY FOR USE ON ENTRY DOORS
2. JUNCTION BOX PREWIRED WITH RELAY AIR CURTAIN POWER CORD AND RELAY CONTROL CABLE.
3. POWER CORD FOR AIR CURTAIN
4. CONTROL CABLE
5. MOUNTING SCREWS
6. AIR CURTAIN IS NOT INCLUDED

	NAME	DATE	RAC36/RAC48		
DRAWN	BCG		TITLE: WIRING DIAGRAM RELAY DOOR SWITCH		
CHECKED					
ENG APPR.	BCG				
MFG APPR.					
Q.A.					
			SIZE	DWG. NO.	REV
			<b>B</b>	65036481	<b>A</b>
			SCALE: 1:4	WEIGHT:	SHEET 1 OF 2

4

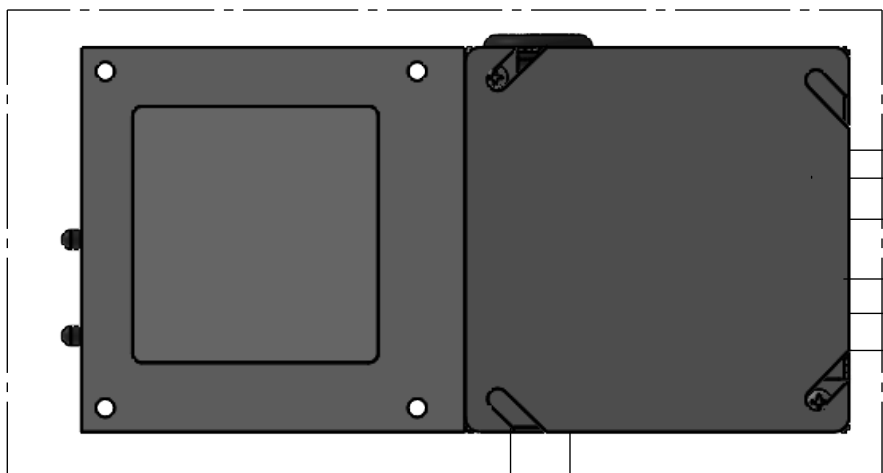
3

2

1

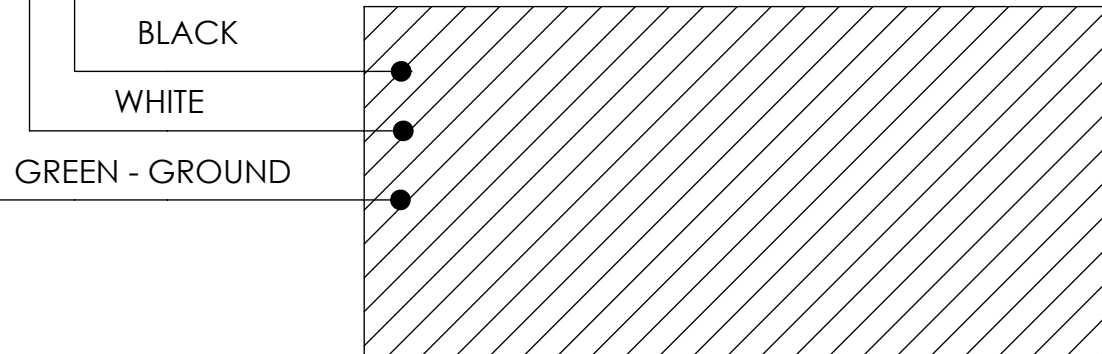
RELAY

JUNCTION BOX



### ACCESS DOOR RELAY FOR USE WITH RAC-36, AND RAC-48 AIR CURTAIN

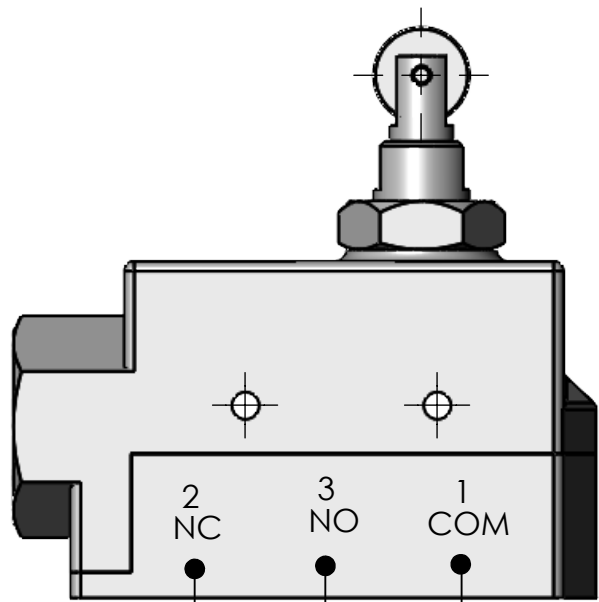
RAC-36 OR RAC-48 AIR CURTAIN  
120 V - 60 Hz



TO AIR CURTAIN

FROM POWER SUPPLY  
120 V - 60 Hz

- L1 - HOT
- L2 - NEUTRAL
- GROUND

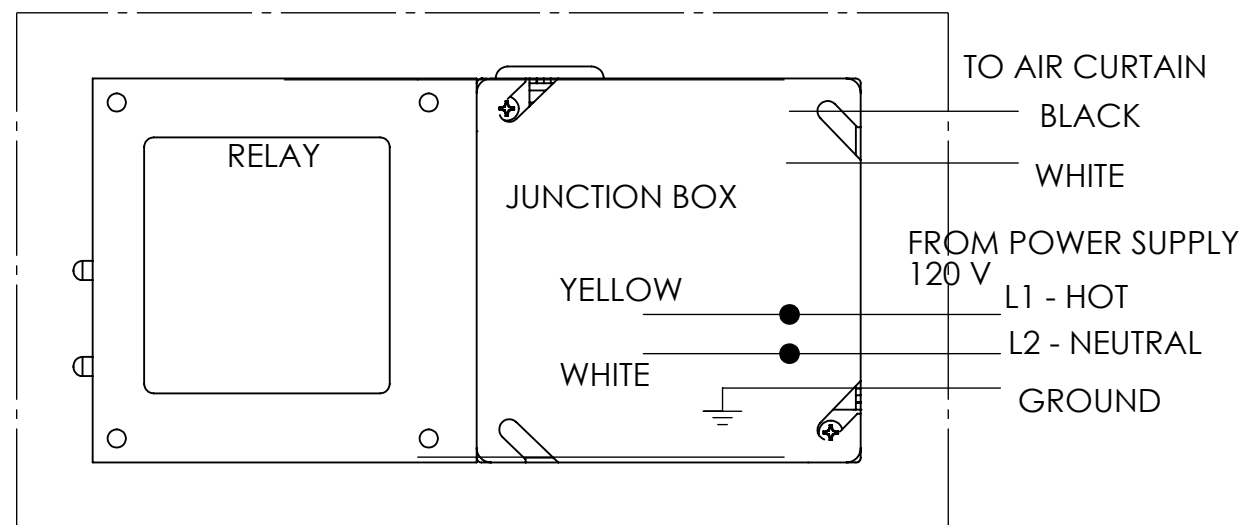


BLACK

RED

DOOR SWITCH WIRE TO NC AND COM

### DETAIL OF RELAY - INTERNAL CONNECTIONS



TO AIR CURTAIN

BLACK

WHITE

FROM POWER SUPPLY  
120 V

L1 - HOT

L2 - NEUTRAL

GROUND

RELAY

JUNCTION BOX

YELLOW

WHITE