

The Ready Access 503/603 Ticket Window is available in a myriad of configurations to meet your security, sound, and budget needs. Choose the size, glazing, pass thru system and speak thru option that's best for you. Window supplied fully assembled with speak thru. Chosen pass thru option is shipped loose.

Ideal for a variety of applications including stadiums, schools, amusement parks, banks, convenience stores, theaters, municipal projects, park districts, pools, zoos and more.

CHOOSE GLAZING

- ◇ **VALUE** 1/4" clear tempered glass w/ stainless steel speak thru for 1/4" Glazing
 - ◇ **BULLET RESISTANT SECURITY**
 - 3/4" Lexan Level 1 Bullet Resistance w/ Lexan speak thru
 - 1-1/4" Lexan Level 3 Bullet Resistance w/ Lexan speak thru
- Extrusions lined with corresponding L1 or L3 Lumiguard

SIZE Overall Size—includes 2.25" Stainless Steel Shelf with Deal Tray.

- ◇ 24"W x 36"H
- ◇ 25.75"W x 42"H
- ◇ 30"W x 36"H
- ◇ 36"W x 36"H
- ◇ 48"W x 48" H

CHOOSE PASS THRU CONFIGURATON

- ◇ **Drop in Deal Tray***—drops into counter for clean aesthetic and great value
- ◇ **Stainless Steel Shelf with Deal Tray**
- ◇ **None***—Build custom pass thru area out of any substrate or counter material. Or "float" the window above the counter by mounting through predrilled holes in the sides. Bottom 2"d extrusion is smooth. Caps for bottom of side extrusions provided for 1/4" glass models. Floating not recommended for Bullet Resistant applications.

* Deduct 2.25" from listed height if these pass thru options are selected

STANDARD FEATURES:

- ◇ Anodized aluminum extrusions and stainless steel combine to give you an attractive window that will not rust, pit or weather
- ◇ Fully assembled, pre-glazed and ready to install
- ◇ Dark Bronze or Clear Anodized Aluminum Frame
- ◇ Speak thru for corresponding Glazing
 - Stainless Steel for 1/4" clear tempered glass
 - Lexan L1 or L3 for L1 or L3 Bullet Resistant Lexan
- ◇ One year parts & labor limited warranty
- ◇ On-staff tech support / stocked parts / nationwide network of service providers

OPTIONAL FEATURES

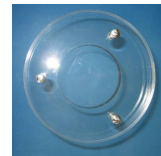
- ◇ Powder Coat Paint—Tiger Drylac
- ◇ Custom Sizes
 - Min width 24"
 - Max width 80"
 - Max height 48"



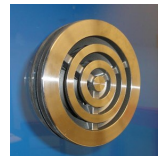
Pictured configuration: Clear Aluminum Frame, Bullet Resistant Lexan, Lexan Speak Thru and Shelf with Deal Tray



Stainless Steel for 1/4" Glazing



Lexan L1 or L3 for Bullet Resistant Glazing



BR Stainless Steel for Bullet Resistant Glazing

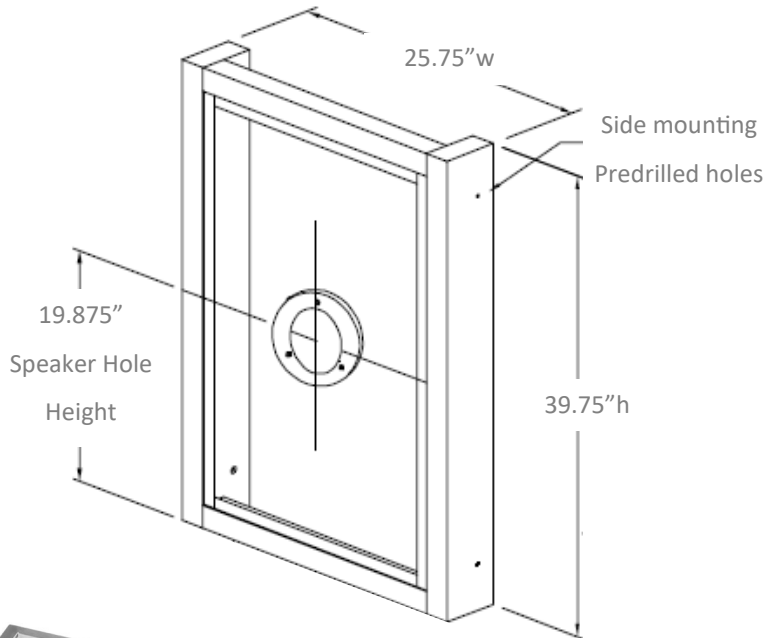
CHOOSE SPEAK THRU



Amplified Haven SC100

Pictured: Ticket Window with Lexan Speak Thru

25.75" w x 42" H Size—without the Shelf with Deal Tray



Drop in Deal Tray

Overall Size: 14" w x 12" d x 2" h

Countertop Cutout: 12.25" w x 11" d x 1.875" h

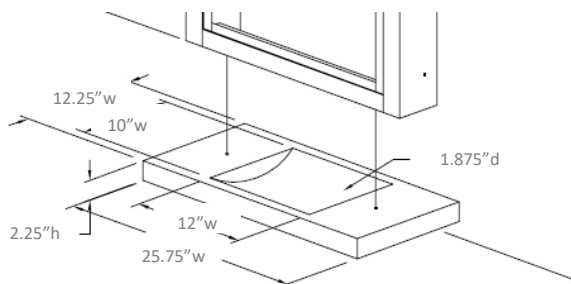
Transfer Area: 12" w x 10" d x 1.875" h

Shelf with Deal Tray

Width corresponds with selected window size

Transfer Area:

12" w x 10" d x 1.875" h



Optional Interior cover for Deal Trays

All windows are shipped completely pre-assembled, fully glazed and ready to install.

Installation / Owners manual can be retrieved online:
www.ready-access.com

- ◇ Installation illustrations are for reference only. Construction conditions and local codes prevail.
- ◇ Must be installed level, square and plumb.
- ◇ No power required

ROUGH OPENING

Rough opening should be 1/2" larger than frame size to allow for shimming. (defer to preference of glazer if mounting in storefront)

Height may vary based on how Pass Thru area is addressed. Sizes below assume Shelf with Deal Tray. Subtract 2.25" from height if Drop in Deal Tray is used

- ◇ 24" w x 36" h
Rough Opening 24.5" w x 36.5" h
- ◇ 25.75" W x 42" H
Rough Opening 26.25" W x 42.5" H
- ◇ 30" w x 36" h
Rough Opening 30.5" w x 36.5" h
- ◇ 36" W x 36" H
Rough Opening 36.5" W x 36.5" H
- ◇ 48" W x 48" H
Rough Opening 48.5" W x 48.5" H