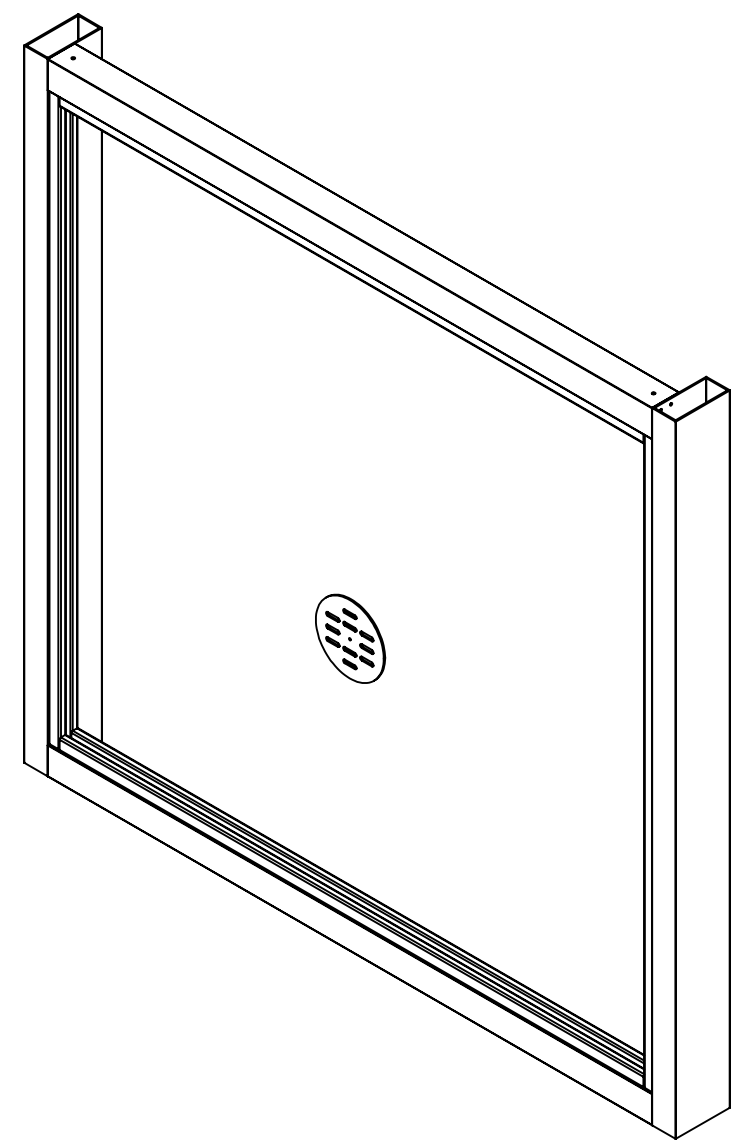
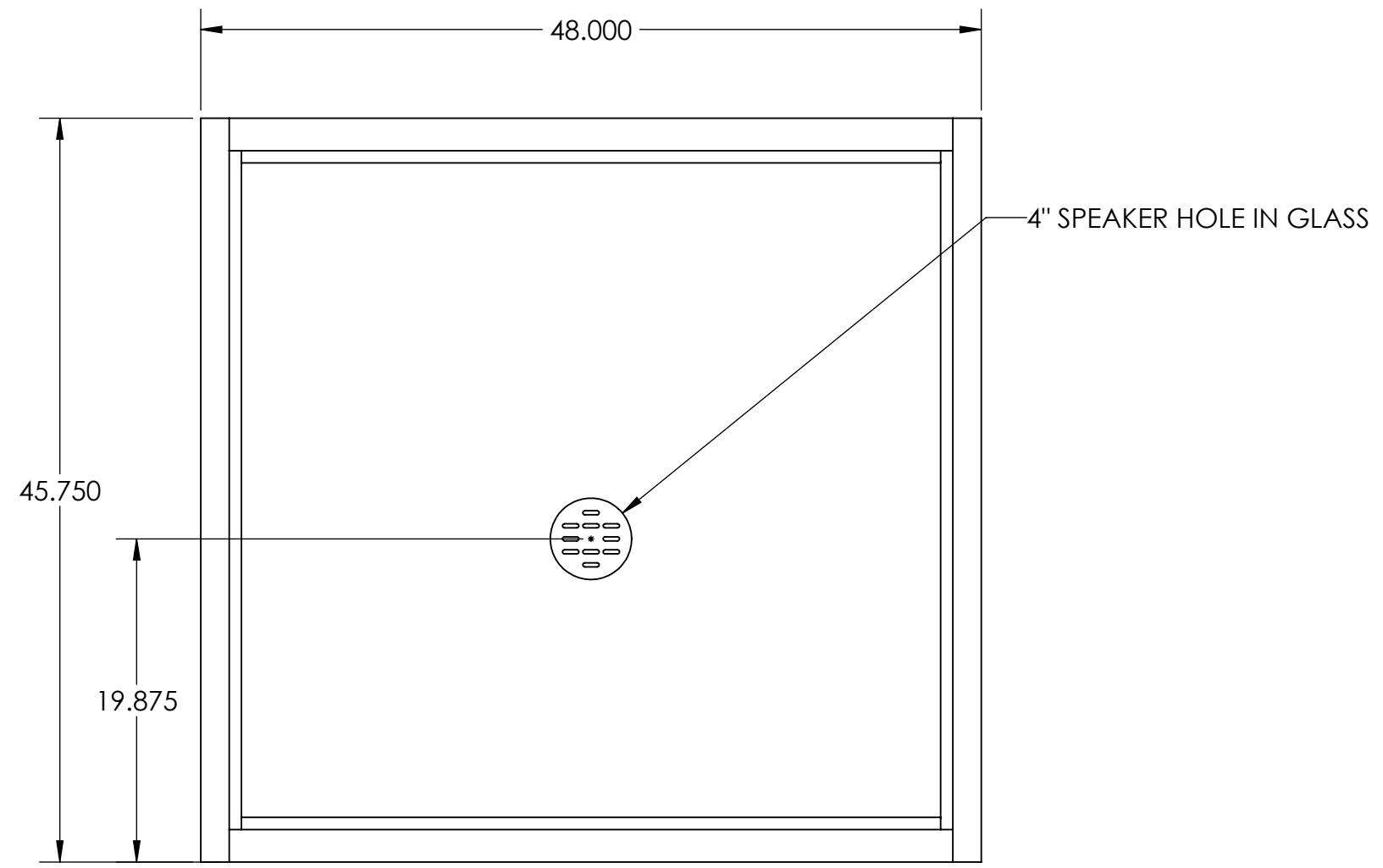


4

3

2

1



MODEL: 503 TICKET  
1/4" CLEAR TEMPERED GLASS

B

B

A

A

WORK TO DIMENSIONS- DO NOT SCALE  
TOL. UNLESS SPECIFIED  
XXXX TOL. NOT REQD  
TOL. CLASS ± .063  
ANGULAR TOL. ± 1°

USED IN PRODUCTS:  
  
REVISION: A  
REVISION DATE:

DESIGN BY: BCG  
DATE: 8/8/2024  
DRAWN BY: KMS  
DATE: 8/8/2024

MATERIAL: ALUM.  
MATERIAL SPEC: 6063-T6  
GAUGE: .063



1815 Arthur Drive, West Chicago, Illinois 60185. 800-621-5045. 630-876-7766. Fax 630-878-7767

LATEST REVISION NOTE:  
REV = A RELEASE FOR CUSTOMER APPROVAL

DESCRIPTION: 503 - 48"W X 45.75"H

PART NO.:

4

3

2

1