

The popular 275 model is both functional and economical. It features a fixed panel and an operable panel for high visibility. Operating system is located in the header to keep the service area clear with a track free sill. Customizable to different heights/widths.

This versatile window is ideal for many applications including: food service, healthcare, parks and rec, ticket booths, distribution centers, and more

### Choose your mode of operation

#### ◇ MANUAL OPEN / SELF CLOSE

Manual open, with patented hands-free gravity close. Economical and easy to maintain.

#### ◇ MANUAL OPEN / ELECTRONIC RELEASE (MOER)

Electromagnetic “hold open” feature paired with a presence sensor offers the control of manual open with a gravity-fed close that won’t release while interacting with customers. Hands free interaction that is easy to maintain.

#### ◇ ELECTRIC

Fully automatic electric, for hands free open & close. Operator steps into overhead beam to activate.



Pictured: Right to Left from outside view

### STANDARD SIZES

- ◇ 47.5”w x 43.5”h (19”w x 35”h service opening)
- ◇ 47.5”w x 35.75”h (19”W x 27”h service opening)  
(15” west coast restricted service opening also available)\*
- ◇ 35.75”w x 35.75”h (13.5”w x 27”h service opening)\*  
(Manual open/ Self Closing and M.O.E.R only)
- ◇ 35.75”w x 47.5”h (13.5”w x 39”h service opening)

\* service opening under 432 square inches meets CA retail food code

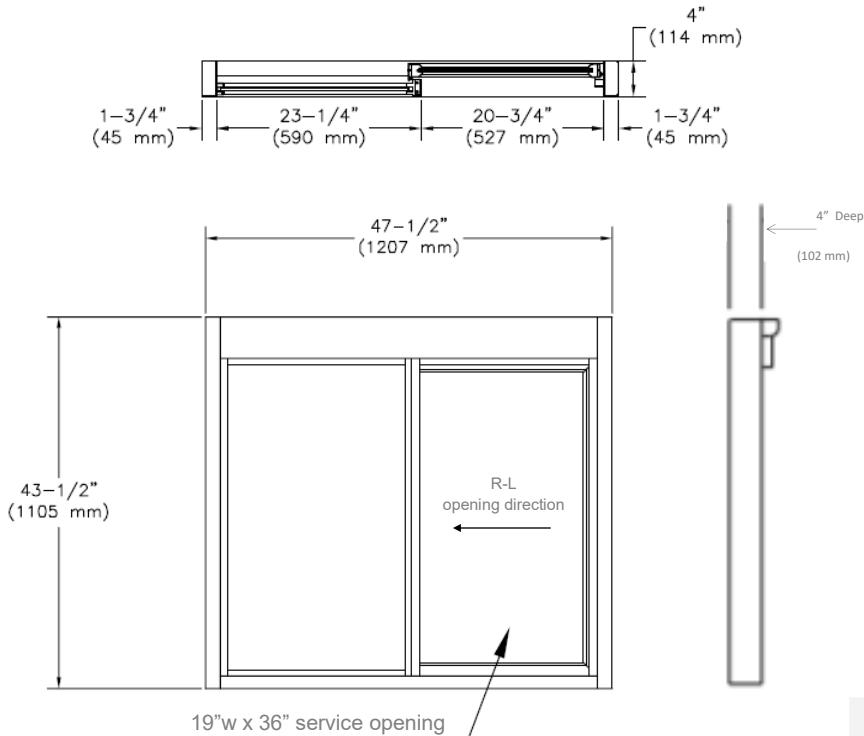
### STANDARD FEATURES:

- ◇ Anodized aluminum extrusions and stainless steel combine to give you an attractive window that will not rust, pit or weather
- ◇ Fully assembled, pre-glazed and ready to install
- ◇ 1/4” Clear Tempered Glass
- ◇ Dark Bronze or Clear Anodized Aluminum
- ◇ Self latches every time it closes. Also includes a thumb turn lock, and night locking bar
- ◇ Track free bottom sill provides for a contaminant free surface. Angled toward outside for drainage toward exterior
- ◇ One year parts & labor limited warranty
- ◇ On-staff tech support / stocked parts / nationwide network of service providers.

### OPTIONAL FEATURES

- ◇ Powder Coat Paint—Tiger Drylac
- ◇ Custom Size
- ◇ Tinted Glazing
- ◇ Low E Glass
- ◇ 5/16 Safety Glass
- ◇ Stainless Steel Shelf to extend sill inside or out (13 ga.)
- ◇ Telescoping After Hours Security Bar Set for additional security
- ◇ Solid Glass Transom
- ◇ Split Transom for AA100 Fly Fan
- ◇ AA300 Heated Air Curtain
- ◇ Restriction Panel Sneeze Guard or Screen
- ◇ Hipscan sensor ILO overhead beam for fully electric operation

All windows are shipped completely pre-assembled, fully glazed and ready to install.



Installation / Owners manual can be retrieved online: [www.ready-access.com](http://www.ready-access.com)

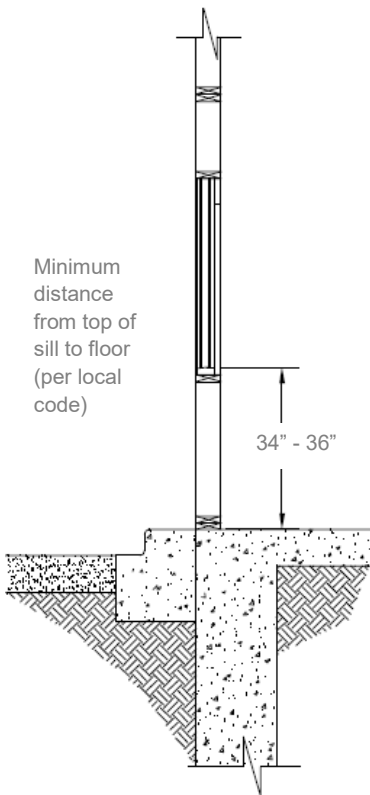
- ◇ Installation illustrations are for reference only. Construction conditions and local codes prevail.
- ◇ Must be installed level, square and plumb.

### SLIDE DIRECTION

Specify Slide Direction from Exterior View  
 Left to Right from exterior (= R to L from interior)  
 Right to Left from exterior (= L to R from interior)

### ROUGH OPENING

- 47.5\"w x 43.5\"h**
- ◇ Masonry Rough Opening – 48\"w x 44\"h
  - ◇ Glazing Rough Opening - 47.75\"w x 43-.75\"h
- 47.5\"w x 35.75\"h**
- ◇ Masonry Rough Opening – 48\"w x 36.25\"h
  - ◇ Glazing Rough Opening - 47.75\"w x 36\"h
- 35.75\"w x 35.75\"h**
- ◇ Masonry Rough Opening – 36.25\"w x 36.25\"h
  - ◇ Glazing Rough Opening - 36\"w x 36\"h
- 35.75\"w x 47.5\"h**
- ◇ Masonry Rough Opening – 36.25\"w x 48\"h
  - ◇ Glazing Rough Opening - 36\"w x 47.75\"h



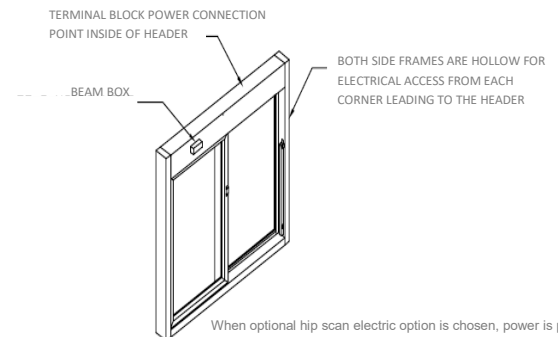
### ELECTRIC REQUIREMENTS

**Manual Open / Self Close Window:**  
 No Power Required

**Manual Open / Electronic Release & Fully Automatic Electric:**  
 120v single phase / 60Hz / 15 AMP dedicated circuit

Run power to header on fixed panel side

**Window must be on a dedicated circuit**



When optional hip scan electric option is chosen, power is pulled from bottom of jam. Note: ensure wires are accessible to interior. Hip scan will mount on interior wall.