



Model 275 / Model 600 Single Panel Sliding Window w/ AA100 or AA300 Air Curtain

The Single Panel Sliding Window with AA100 (unheated) or AA300 (heated) air curtain is specified by many multi-unit operators for its quality construction and adaptability to site-specific needs. Air flows outside the window. Controls are inside. The AA300 features a 208v radiant heat quartz lamp for staff comfort.

Choose the appropriate glass for your site:

VALUE 1/4" clear tempered glass (MODEL 275)

INSULATED 3/4" clear insulated tempered glass. (MODEL 600)

ENERGY SAVER 3/4" Solarban 70XL Insulated Low-E glass to maximize energy-efficiency and staff comfort. Estimated to save 33% on energy costs associated with the window. (MODEL 600)

SECURITY 3/4" Smash & Grab or 3/4" Lexan Level 1 Bullet resistant Lexan. Consider pairing with a Telescoping After Hours Security Bar Set for protection against forced entry. (MODEL 600)

Choose your mode of operation

◇ **MANUAL OPEN / SELF CLOSE**

Manual open, with patented hands-free gravity close. Economical and easy to maintain.

◇ **MANUAL OPEN / ELECTRONIC RELEASE (MOER)**

Electromagnetic "hold open" feature paired with a presence sensor offers the control of manual open with a gravity-fed close that won't release while interacting with customers. Hands free interaction that is easy to maintain.

◇ **ELECTRIC**

Fully automatic electric, for hands free open & close. Operator steps into overhead beam to activate.

STANDARD FEATURES:

- ◇ Anodized aluminum extrusions and stainless steel combine to give you an attractive window that will not rust, pit or weather
- ◇ Fully assembled, pre-glazed and ready to install
- ◇ Dark Bronze or Clear Anodized Aluminum
- ◇ Self latches every time it closes. Also includes a thumbturn lock, and night locking bar
- ◇ Track free bottom sill provides for a contaminant free surface. Angled toward outside for drainage toward exterior
- ◇ One year parts & labor limited warranty
- ◇ On-staff tech support / stocked parts / nationwide network of service providers.



SIZE

Window Frame Size: 47.5"W x 43.5"H
 Service Opening: 19"W x 35"H
 Overall Frame Size with AA300 or AA100 Transom:
 47.5"W x 59.5"H x 4.5"D*

Rough Opening: 48" W x 60" H

*Value Model 275 is 4"D

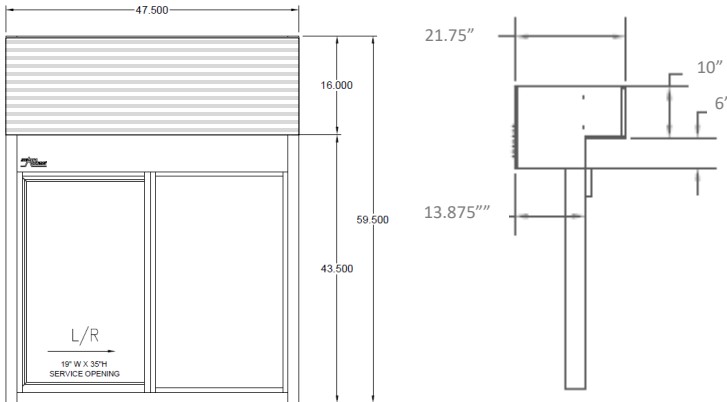
OPTIONAL FEATURES

- ◇ Powder Coat Paint—Tiger Drylac
- ◇ Stainless Steel Shelf to extend sill inside or out (13 ga.)
- ◇ Telescoping Night Time Security Bar Set for additional security
- ◇ Sidelight(s)—shipped loose to attach in field

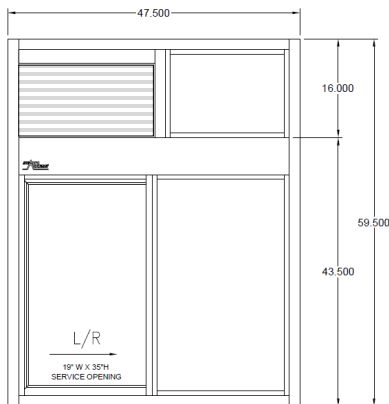
18"w x 59.5"H
 28.25"w x 59.5"H
 36"w x 59.5"H

VARIATIONS—all designed for 48" w x 60" h Rough Opening

COLD CLIMATES AA300 HEATED AIR CURTAIN - Steps up on interior for head clearance

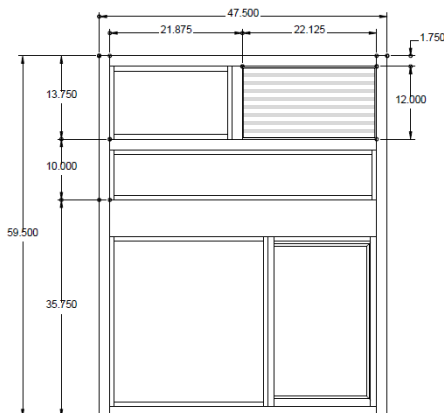


WARM CLIMATES TRANSOM FOR AA100 FLY FAN w/ 19" w standard service opening



WEST COAST DOUBLE SPLIT TRANSOM FOR AA100 FLY FAN

w/ restricted 15" service opening for California Retail Food Code



All windows ship completely
pre-assembled, fully glazed, and
ready to install.

Installation / Owners manual can be retrieved online:

www.ready-access.com

- ◇ Installation illustrations are for reference only. Construction conditions and local codes prevail.
- ◇ Must be installed level, square and plumb.
- ◇ Recommend mounting height approximately 36" from top of sill to interior finished floor (or per local code).
- ◇ Rough opening 48" w x 60" h to allow 1/4" around for leveling.

SLIDE DIRECTION

Specify Slide Direction from Exterior View

Left to Right from exterior (= R to L from interior)

Right to Left from exterior (= L to R from interior)

ELECTRIC REQUIREMENTS FOR WINDOW

Run power to header on fixed panel side.

Manual Open / Electronic Release and Fully Automatic Electric:

120v single phase / 60Hz / 20 AMP dedicated circuit

Manual Open / Self Close Window:

No Power Required

ELECTRIC REQUIREMENTS FOR AIR CURTAIN

Run power to top of rough opening—leave 5' whip

AA300 Heated Air Curtain

208v single phase / 60 Hz / 40 amp dedicated circuit

AA100 Unheated Air Curtain

120v single phase / 60 Hz / 15 amp dedicated circuit